

GDV101

SWING ARM WALL MOUNT

FOR 10"-29" SCREENS

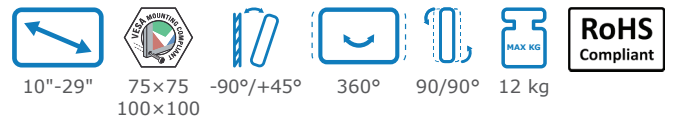
Universal GDV101 wall mount is dedicated to small screens ranging from 10" to 29". Its simple design makes it quick and easy to install on walls of various structures. The possibility of adjusting the arm in the range of 180 degrees allows precise positioning of the display, which provides a wide viewing angle. The possibility of tilting the screen by $-90^{\circ}/+45^{\circ}$ allows any adjustment of screen position and improves the comfort of use. The GDV101 design, suitable for frequent changes in the position of the display, works perfectly in wall corners.

FEATURES

- Modern design and high-end aesthetics
- Option of screen tilting by -90° to $+45^{\circ}$
- 360° vertical-horizontal screen rotation
- $90^{\circ}/90^{\circ}$ right-left screen rotation
- VESA universal standard
- Integrated cable management system

PRODUCT SPECIFICATIONS

Short index	GDV101
Category	Swing Arms Wall Mounts
Product group	Display Mounts
Colour	Black
Warranty	Limited 5-years
Number of screens	1
Minimum screen size	10"
Maximum screen size	29"
Maximum load	12 kg
Arm rotation	360°
Left-right rotation	$90^{\circ}/90^{\circ}$
Forward tilting	$-90^{\circ}/+45^{\circ}$
VESA Mounting Compatibility	75×75 up to 100×100



Option of screen tilting by -90° to $+45^{\circ}$



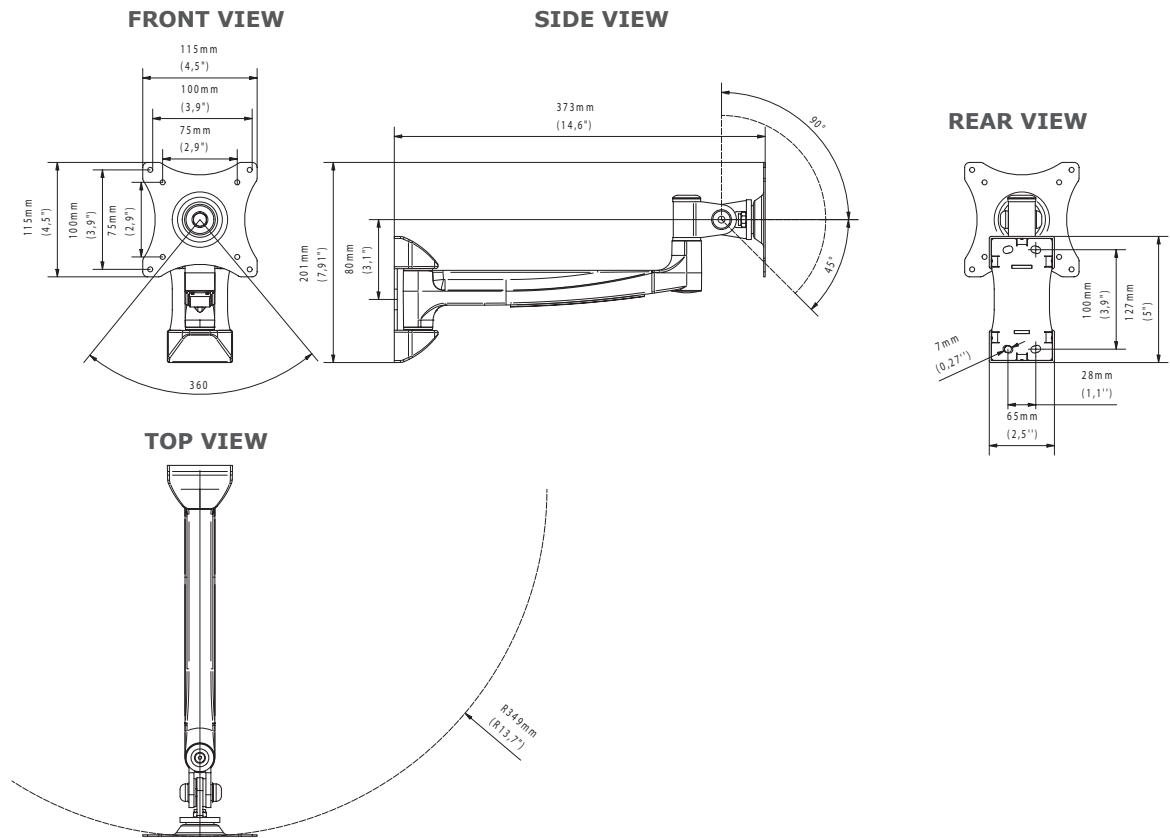
$90^{\circ}/90^{\circ}$ right-left screen rotation



Integrated cable management system



VESA universal standard

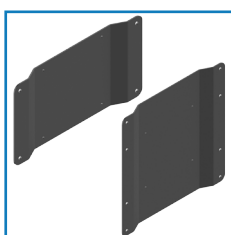

TECHNICAL SPECIFICATIONS

Product dimensions	W: 115 mm D: 373mm H: 201 mm (W: 4,53" D: 14,69" H: 7,91")
Product weight	2,6 kg (6 lb)
Max. distance from mounting surface	373 mm (14,69")
Min. distance from mounting surface	95 mm (3,74")
Max. mounting pattern	100 mm x 100 mm
Min. mounting pattern	75 mm x 75 mm

LOGISTICS DATA

SAP INDEKS	EAN CODE	COLOUR	PACKAGE DIMENSIONS	PACKAGE WEIGHT
WUSC-GDV101	5902841133242	BLACK	400 x 220 x 100 mm (15,75" x 8,66" x 3,94")	2 kg (4 lb)

HS Code (Harmonized System): 732690, HTS Code (Harmonized Tariff Schedule): 7326909890, Country of Origin: Poland

ACCESSORIES AND RELATED PRODUCTS


GDA1/GDA2



GDV121



GD04



GD18