

GDV121

DOUBLE SWING ARM WALL MOUNT

FOR 10"-29" SCREENS

The GDV121 double swing arm wall mount is dedicated to small screens ranging from 10" to 29". Its simple design makes it quick and easy to install on walls of various structures. The possibility of adjusting the arm in the range of 180° allows precise positioning of the display, which provides a wide viewing angle. The possibility of tilting the screen by -90°/+45° allows any adjustment of screen position and improves the comfort of use. The GDV121 design, suitable for frequent changes in the position of the display, works perfectly in wall corners.

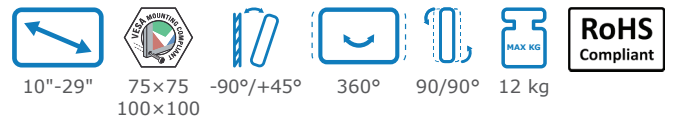


FEATURES

- Modern design and high-end aesthetics
- Option of screen tilting by -90° to +45°
- The possibility of adjusting the arm in the range of 180°
- 90°/90° right-left rotation
- VESA universal standard
- Integrated cable management system

PRODUCT SPECIFICATIONS

Short index	GDV121
Category	Swing Arms Wall Mounts
Product group	Display Mounts
Colour	Black
Warranty	Limited 5-years
Number of screens	1
Minimum screen size	10"
Maximum screen size	29"
Maximum load	12 kg
Arm rotation	360°
Left-right rotation	90/90°
Forward tilting	-90°/+45°
VESA Mounting Compatibility	75×75 up to 100×100



Option of screen tilting by -90° to +45°



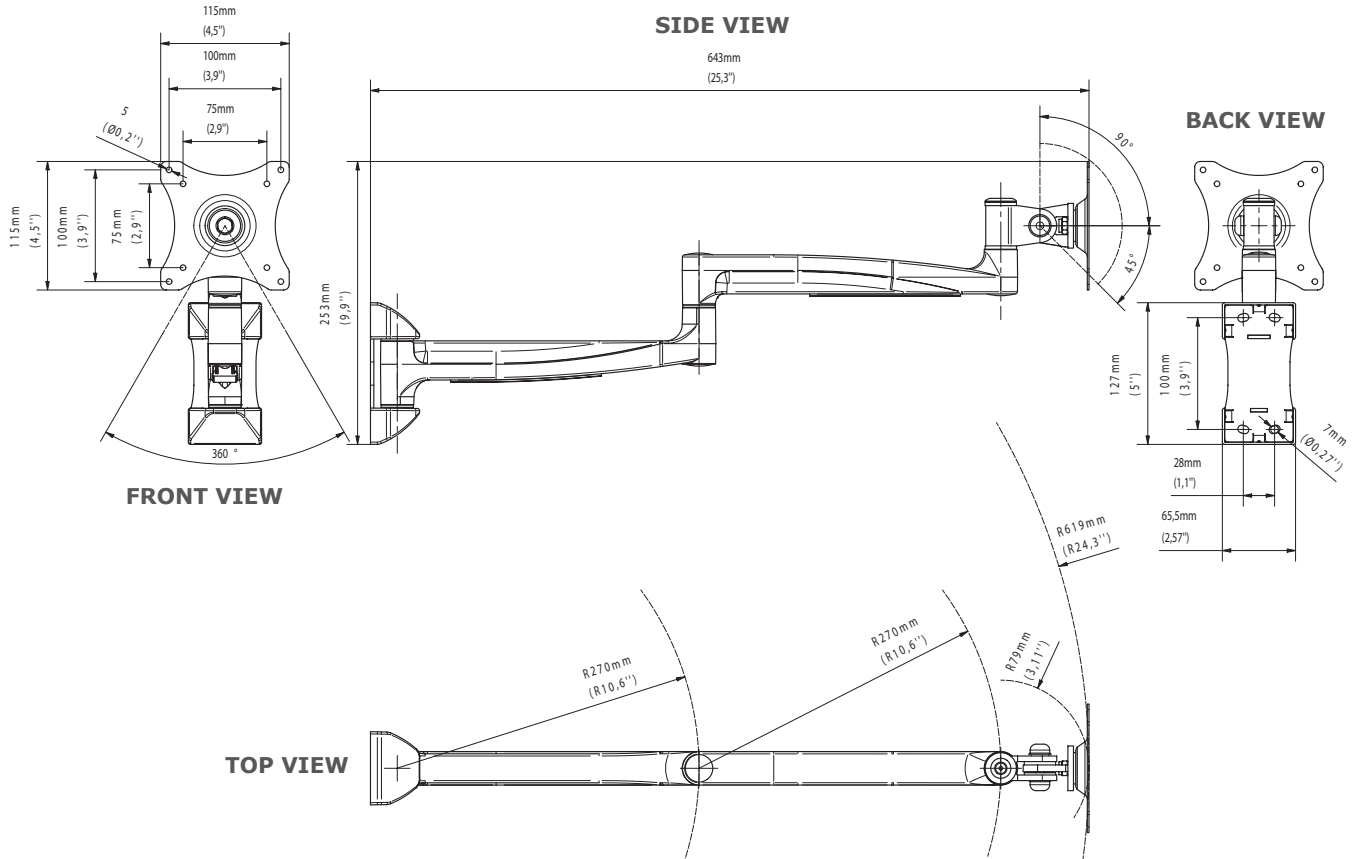
90°/90° right-left rotation



Integrated cable management system



VESA universal standard



TECHNICAL SPECIFICATIONS

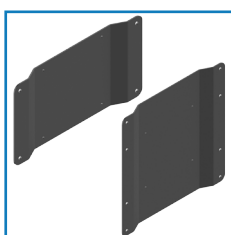
Product dimensions	W: 253 mm D: 643 mm H: 115 mm (W: 9,96" D: 25,31" H: 4,53")
Product weight	4,4 kg (10 lb)
Max. distance from mounting surface	640 mm (25,20")
Min. distance from mounting surface	100 mm (3,94")
Max. mounting pattern	100 mm x 100 mm
Min. mounting pattern	75 mm x 75 mm

LOGISTICS DATA

SAP INDEKS	EAN CODE	COLOUR	PACKAGE DIMENSIONS	PACKAGE WEIGHT
WUSC-GDV121	5902841133259	BLACK	380 x 280 x 100 mm (14,96" x 11,02" x 3,94")	2,9 kg (6 lb)

HS Code (Harmonized System): 732690, HTS Code (Harmonized Tariff Schedule): 7326909890, Country of Origin: Poland

ACCESSORIES AND RELATED PRODUCTS



GDA1/GDA2



GDV101



GD04



GD18