

STD01

FLAT SCREEN STAND

FOR 40"-75" SCREEN

It is a perfect solution for presenting the screen in an elegant and, at the same time, safe manner. STD01 is universal and, due to its wide range of height adjustments, it can easily be adapted to many types of screens available on the market. A solid and stable base with the possibility of attachment to the floor makes it perfect for various rooms from hotel lobbies to conference rooms. Integrated cable management makes the finished installation neat and tidy, and as such STD01 is perfect for professional or commercial applications.

FEATURES

- Universal VESA mount suitable for multiple screen types
- Full height adjustment
- Stable base
- Base holes allow optional fastening to the floor using anchors
- Integrated cable management system

PRODUCT SPECIFICATIONS

Short index	STD01
Category	Flat Screen Stands
Product group	Trolleys & Stands
Colour	Black
Warranty	Limited 5-years
Number of screens	1
Minimum screen size	40"
Maximum screen size	75"
Maximum load	80 kg
Height adjustment	Yes
VESA Mounting Compatibility	100x100 up to 600x400



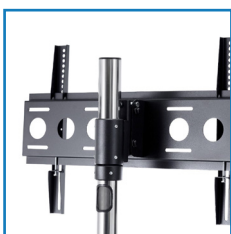
40"-75"



100x100
600x400



80 kg



Seamless height adjustment



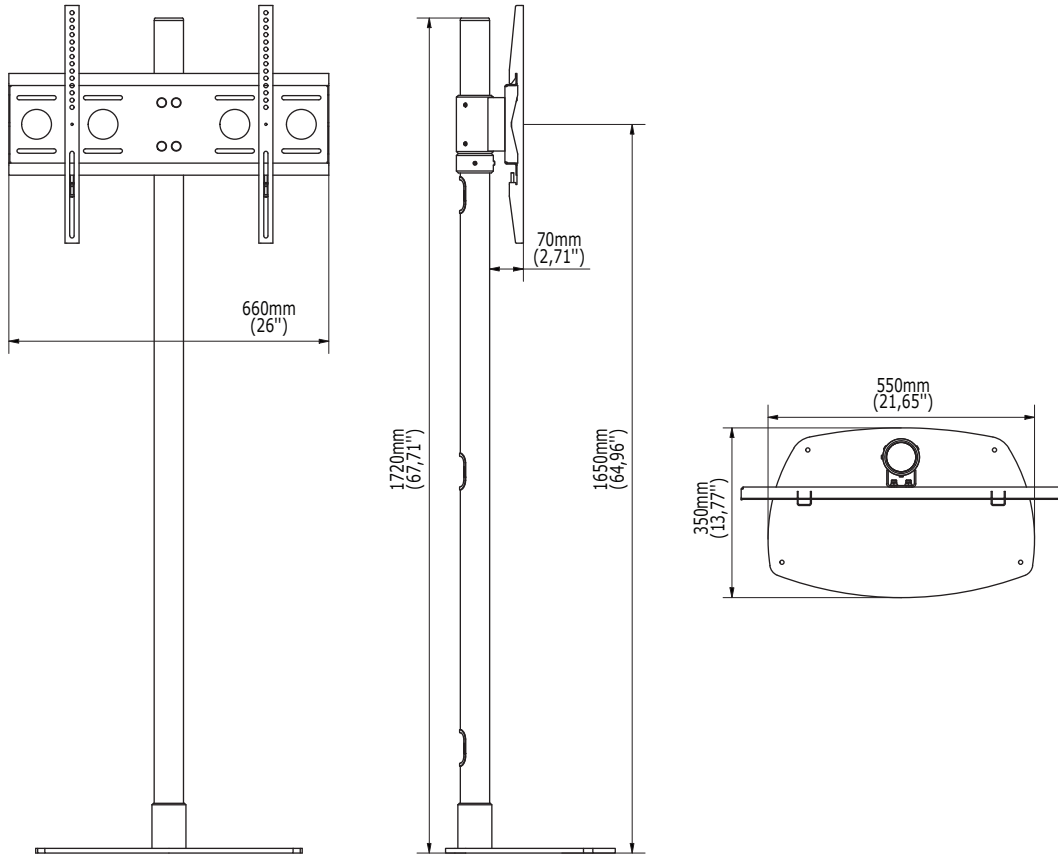
Cable management



Stable base



Floor mounting option


TECHNICAL SPECIFICATIONS

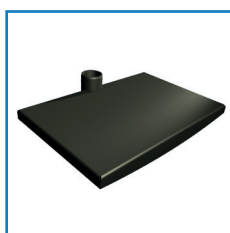
Product dimensions	W: 660 mm D: 350 mm H: 1720 mm (W:26" D:13,78" H:67,72")
Product weight	25 kg (55 lb)
Max. distance from the floor to the center of the screen	1650 mm (64,96")
Min. distance from the floor to the center of the screen	250 mm (9,84")
Max. mounting pattern	620 mm x 460 mm
Min. mounting pattern	50 mm x 96 mm

LOGISTICS DATA

PLEASE NOTE - THIS PRODUCT IS PACKED IN SEVERAL CARDBOARD PACKAGES

SAP INDEX	EAN CODE	COLOUR	PACKAGE DIMENSIONS	PACKAGE WEIGHT
WSTD-STD01c-B	5908252962068	BLACK	1(2) 820 x 500 x 150 mm 32,28 x 19,69 x 59,06"	1(2) 22 kg 49 lb
			2(2) 1735 x 190 x 120 mm 68,31 x 7,48 x 4,72"	2(2) 6 kg 13 lb

HS Code (Harmonized System): 732690, HTS Code (Harmonized Tariff Schedule): 7326909890, Country of Origin: Poland

ACCESSORIES AND RELATED PRODUCTS


TRSM100



TRS4



CH4/CH5



STD17