

# STD17D

## FLAT SCREEN FLOOR STAND/TROLLEY

FOR TWO 37"-60" SCREENS, BACK-TO-BACK

STD17D is a universal conference stand/trolley for two 37"-60" screens mounted back-to-back. The stand/trolley is a perfect solution for presenting the screen in an elegant and, at the same time, safe manner. A solid and stable base with the possibility of attachment to the substrate makes it perfect for various rooms from hotel lobbies to conference rooms. The included locked casters provide mobility, which allows you to use the stand as a trolley and increases the range of product applications. Integrated cable management makes the finished installation neat and tidy, and as such STD17D is perfect for professional or commercial applications. This product features an interesting design combined with functionality.

### FEATURES

- Multifunctional base for use as a stand or trolley (castors included)
- Fully height adjustment
- Possibility of tilting tilt the screen from  $-6,5^{\circ}/+12^{\circ}$
- Universal VESA mount suitable for multiple screen types
- Integrated cable management system

### PRODUCT SPECIFICATIONS

Short index	STD17D
Category	Flat Screen Trolleys Uniwersal Series
Product group	Trolleys & Stands
Colour	Black
Warranty	Limited 5-years
Number of screens	2
Minimum screen size	37"
Maximum screen size	60"
Maximum load	50 kg
Forward tilting	$-6,5^{\circ}/+12^{\circ}$
VESA Mounting Compatibility	100x100 up to 600x400



37"-60"



100x100  
600x400



$-6,5^{\circ}/+12^{\circ}$



50 kg



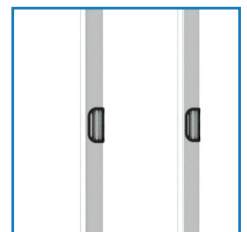
Multifunctional base for use as a stand or trolley



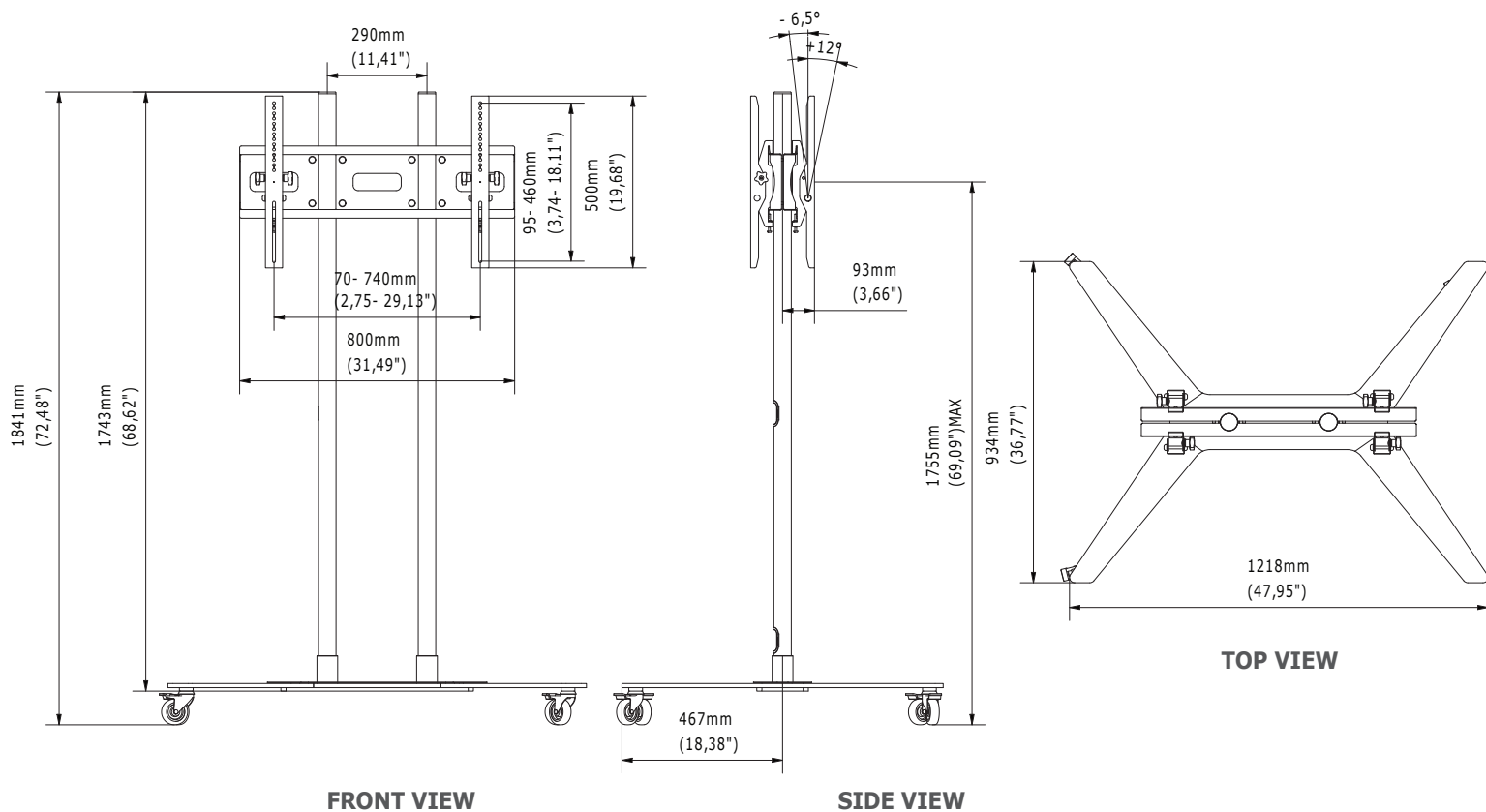
Height adjustment



Possibility of tilting tilt the screen from  $-6,5^{\circ}/+12^{\circ}$



Integrated cable management system



## TECHNICAL SPECIFICATIONS

Product dimensions	W: 1218 mm D: 735 mm H: 1841 mm (W:47,95" D:28,94" H:72,48")
Product weight	55 kg (121 lb)
Max. distance from the floor to the center of the screen	1755 mm (69,09")
Min. distance from the floor to the center of the screen	375 mm (14,76")
Max. mounting pattern	740 mm x 460 mm
Min. mounting pattern	70 mm x 95 mm

## LOGISTICS DATA

SAP INDEX	EAN CODE	COLOUR	PACKAGE DIMENSIONS	PACKAGE WEIGHT
WSTD-STD17D	5908252960026	BLACK	1750 x 510 x 230 mm 68,90 x 20,08 x 9,06"	51,5 kg 114 lb

HS Code (Harmonized System): 732690, HTS Code (Harmonized Tariff Schedule): 7326909890, Country of Origin: Poland

## ACCESSORIES AND RELATED PRODUCTS



STD17



STD01



TR1



TR5