

STD17

FLAT SCREEN FLOOR STAND/TROLLEY

FOR ONE 37"-60" SCREEN

STD17 is a perfect solution for presenting the screen in an elegant and, at the same time, safe manner. The stand is universal and, due to its wide range of height adjustments, it can easily be adapted to many types of screens available on the market. A solid and stable base with the possibility of assembly to the floor makes it perfect for various rooms from hotel lobbies to conference rooms. The included locked casters provide mobility, which allows you to use the stand as a trolley and increases the range of product applications. Integrated cable management makes the finished installation neat and tidy, and as such STD17 is perfect for professional or commercial applications. This product features an interesting design combined with functionality.

FEATURES

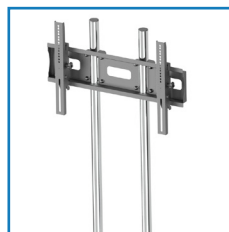
- Multifunctional base for use as a stand or trolley (castors included)
- Seamless height adjustment
- Universal VESA mount suitable for multiple screen types
- Integrated cable management system
- Base able for disassembly for easier transportation

PRODUCT SPECIFICATIONS

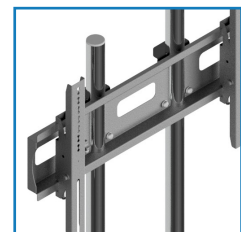
| | |
|-----------------------------|-----------------------|
| Short index | STD17 |
| Category | Flat Screen Trolleys |
| Product group | Trolleys & Stands |
| Colour | Black |
| Warranty | Limited 5-years |
| Number of screens | 1 |
| Minimum screen size | 37" |
| Maximum screen size | 60" |
| Maximum load | 50 kg |
| Forward tilting | -6,5°/+12° |
| Height adjustment | Yes |
| VESA Mounting Compatibility | 100x100 up to 600x400 |



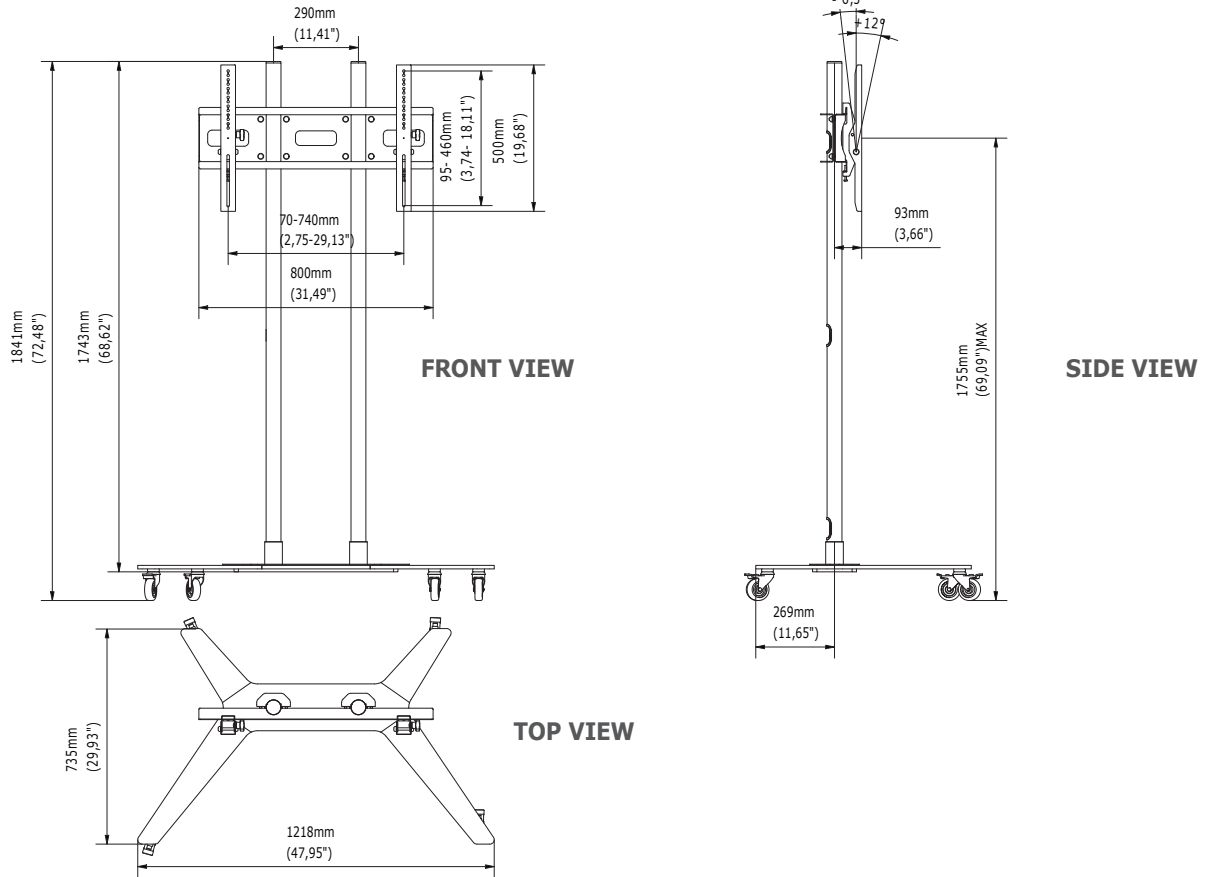
Multifunctional base that can be used as a stand or a trolley (wheels included)



Height adjustment



Cable management



TECHNICAL SPECIFICATIONS

| | |
|--|--|
| Product dimensions | W: 1218 mm D: 735 mm H: 1841 mm (W:47,95" D:28,94" H:72,48") |
| Product weight | 47 kg (104 lb) |
| Max. distance from the floor to the center of the screen | 1755 mm (69,09") |
| Min. distance from the floor to the center of the screen | 375 mm (14,76") |
| Max. mounting pattern | 740 mm x 460 mm |
| Min. mounting pattern | 70 mm x 95 mm |

LOGISTICS DATA

| SAP INDEX | EAN CODE | COLOUR | PACKAGE DIMENSIONS | PACKAGE WEIGHT |
|------------|---------------|--------|---|-------------------|
| WSTD-STD17 | 5908252969920 | BLACK | 1750 x 510 x 330 mm 68,90 x 20,08 x 12,99" | 51,5 kg 114 lb |

HS Code (Harmonized System): 732690, HTS Code (Harmonized Tariff Schedule): 7326909890, Country of Origin: Poland

ACCESSORIES AND RELATED PRODUCTS



TRS1/TRS2



STD01



TR1



TR5